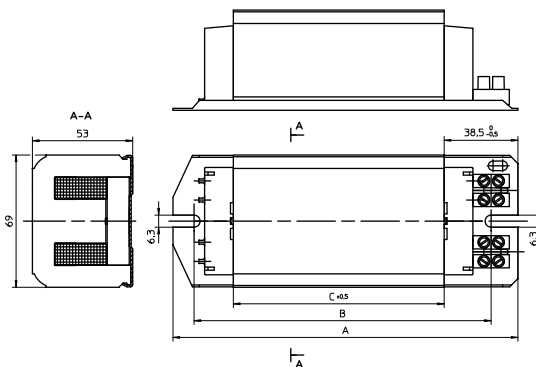
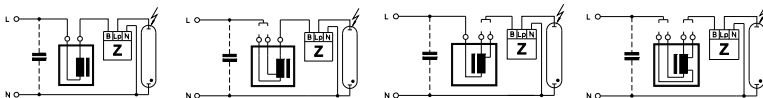
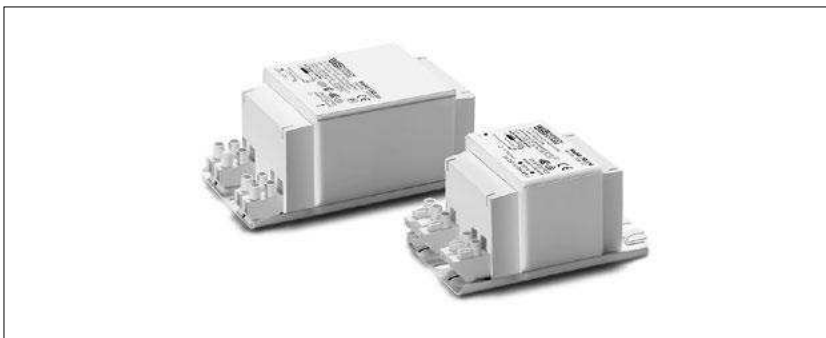


Ballasts with Thermal Cut-out for HS and HI Lamps 35 to 250 W

Shape: 53x69 mm

For high pressure sodium lamps (HS), metal halide lamps (HI) and ceramic discharge lamps (C-HI)
 Vacuum-impregnated with polyester resin
 With temperature switch with automatic reset
 Protection class I
 tw 130



Lamp			Ballast										Capacitor	
Output W	Type	Current A	Type	Ref. No.	Voltage AC V, Hz	a mm	b mm	c mm	Weight kg	Δt K	Power factor (λ)	Energy efficiency	Cp μF	In A
Push-in terminals: 0.5–1.5 mm²														
35	HS, HI	0.53	NaHJ 35.209	571076	230/240, 50	112	86	36	1.10	35	0.36	A2	6	0.22
			NaHJ 35.485*	571075	230/240, 50	112	86	36	1.07	60	0.40	EEI=A3	6	0.22/0.21
50	HS, HI	0.76	NaHJ 70/50.157*	571081	230, 50	112	86	42	1.23	55	0.37	EEI=A3	8	0.30
70	HS, HI	0.98								70	0.37	EEI=A3	12	0.38
70	HS, HI	0.98	NaHJ 70.128*	571009	230, 50	112	86	36	1.12	75	0.36	EEI=A3	12	0.38
			NaHJ 70.226	571011	230, 50	112	86	41	1.28	60	0.37	A2	12	0.38
			NaHJ 70.158*	570995	230/240, 50	112	86	36	1.15	70	0.36	EEI=A3	12	0.38/0.37
150	HS, HI	1.80	NaHJ 150.995*	570994	230/240, 50	145	120	64	1.84	75	0.40	EEI=A3	20	0.77/0.74
Screw terminals: 0.5–2.5 mm²														
50	HS, HI	0.76	NaH 50.486*	571078	230/240, 50	112	86	36	1.07	65	0.37	EEI=A3	8	0.30
50	HS, HI	0.76	NaHJ 70/50.695*	571085	230/240, 50	112	86	48	1.23	50	0.37	EEI=A3	8	0.30/0.29
70	HS, HI	0.98								70	0.37	EEI=A3	12	0.38/0.37
70	HS, HI	0.98	NaHJ 70.226	571012	230, 50	112	86	41	1.28	60	0.37	A2	12	0.38
			NaHJ 70.128*	571010	230, 50	112	86	36	1.12	75	0.36	EEI=A3	12	0.38
			NaHJ 70.158*	570975	230/240, 50	112	86	36	1.15	70	0.36	EEI=A3	12	0.38/0.37
			NaHJ 70.128*	571020	230/240, 50	112	86	36	1.15	70	0.36	EEI=A3	12	0.38/0.37
100	HS, HI	1.20	NaHJ 100.213	571031	230/240, 50	112	86	45	1.38	65	0.41	A2	12	0.55/0.53
			NaHJ 100.941*	571028	230, 50	112	86	36	1.14	75	0.42	EEI=A3	12	0.55
			NaHJ 100.941*	570980	230/240, 50	112	86	36	1.15	75	0.42	EEI=A3	12	0.55/0.53
100	HS, HI	1.20	NaHJ 150/100.973*	571244	230, 50	145	120	75	2.02	55	0.41	A2	12	0.55
150	HS, HI	1.80								75	0.41	EEI=A3	20	0.77
150	HS, HI	1.80	NaHJ 150.166	571025	230/240, 50	180	155	110	3.08	50	0.40	A2	20	0.77/0.74
			NaHJ 150.620*	571015	230, 50	145	120	64	1.83	75	0.40	EEI=A3	20	0.77
			NaHJ 150.995*	570974	230/240, 50	145	120	64	1.84	75	0.40	EEI=A3	20	0.77/0.74
			NaHJ 150.620*	571023	230/240, 50	145	120	64	1.84	75	0.40	EEI=A3	20	0.77/0.74
250	HS, HI	3.00	NaHJ 250.915*	570993	230, 50	180	155	110	2.95	80	0.40	EEI=A3	32	1.26

* Ballasts without CE marking for replacements or markets outside of the EU